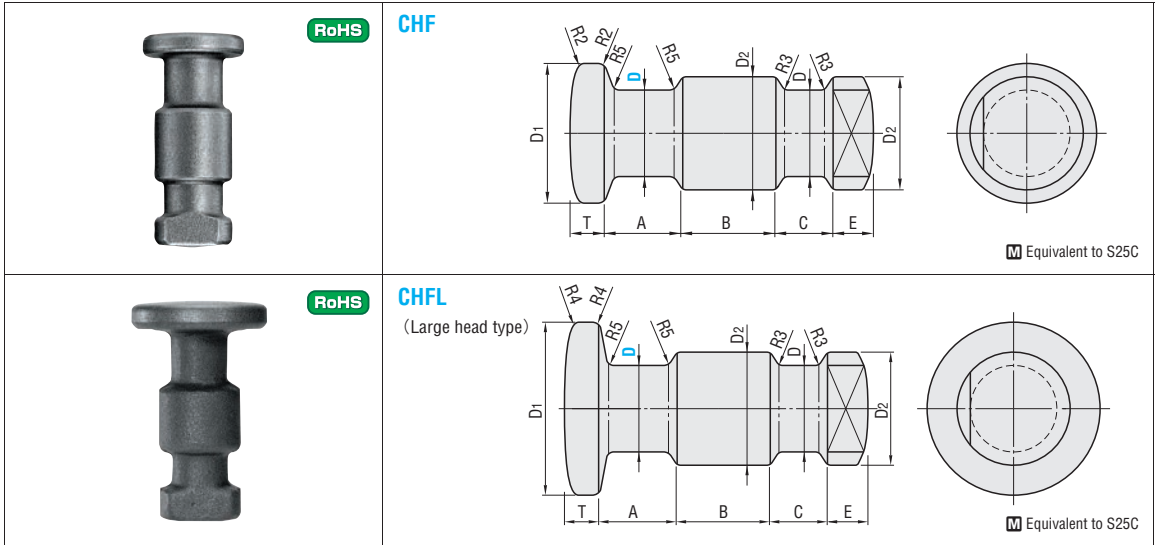


CAST-IN LIFTING HOOKS AND T-SHAPED BOLTS



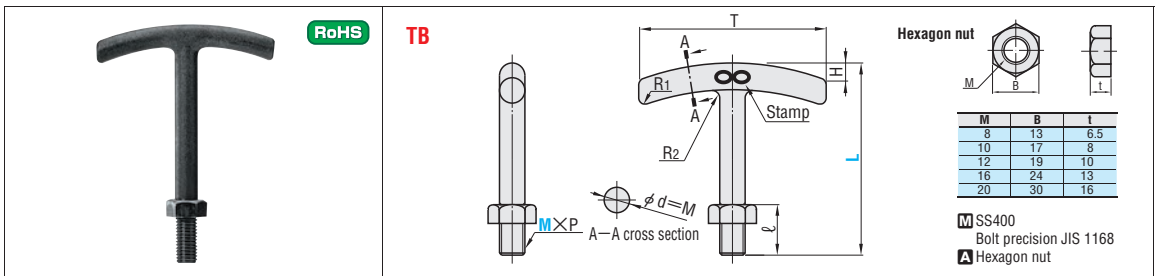
PRINTED IN RED

The quantity discount rate is also applicable to alteration cost.
All price & lead time are to be quoted.



D	D ₁		D ₂	T		A	B	C	E	N/piece (kg/piece)	Catalog No.		Base unit price 1 ~ 19 pieces	
	CHF	CHFL		CHF	CHFL						Type	D	CHF	CHFL
25	46	60	36	12	12.6	25	30	15	16.6	7940 { 810 }	CHF CHFL	25		
32	55	70	42	12.4	13.1	30	40	20	16.8	13140 {1340}		32		
36	60	80	46	17.6	18.5	35	45	25	17	16570 {1690}		36	Quotation	
40	70	90	55	18.1	18.9	35	60	30	17.4	20500 {2090}		40		
50	90	120	70	23.9	25.2	35	70	40	18.1	32070 {3270}		50		
70	120	140	100	30.2	31.1	40	80	40	19.4	62860 {6410}		70		

●Load (kgf) = Load N × 0.101972



M×P	H	R ₁	R ₂	T	ℓ	N/piece (kg/piece)	Catalog No.		L	Base unit price 1 ~ 19 pieces
							Type	M		
8×1.25	8	2	3	80	22	686 { 70 }	TB	8	100	
10×1.5	8	3	5	80	28	981 {100}		10	110	
12×1.75	8	3	5	90	34	1471 {150}		12	125	Quotation
16×2.0	10	5	6	100	45	2942 {300}		16	135	
20×2.5	10	5	8	120	50	3923 {400}		20	160	

●Load (kgf) = Load N × 0.101972



Order

Catalog No. — L

CHF 50

TB 12 — 125

● Printed in Red ● Printed in Blue



Delivery

SGP Stock 3 Days

⚠ For area out of Singapore, please refer to P.i.

Quantity discount rate

Quantity	1~19	20~49	50~99	100~200
Rate	—	5%	10%	15%

T-shaped bolts Installation

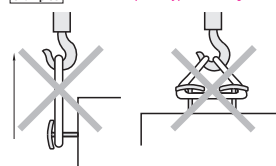
Screw the bolt into the plate lightly with your hand, then tighten the hex nut firmly so that the nut seat is in tight contact with the surface of the plate.

※Tightening the nut last allows you to adjust the direction of the T-bar as needed.



Caution

Incorrect examples Never attempt the types of lifting shown in the diagram. (TB)



Side lifting

2-bolt lifting

Stocks Availability Subjected to Prior Sales.