

OIL-FREE SLIDE PLATES

—CAST 20mm TYPE· 2 BOLT HOLES / 4 BOLT HOLES—

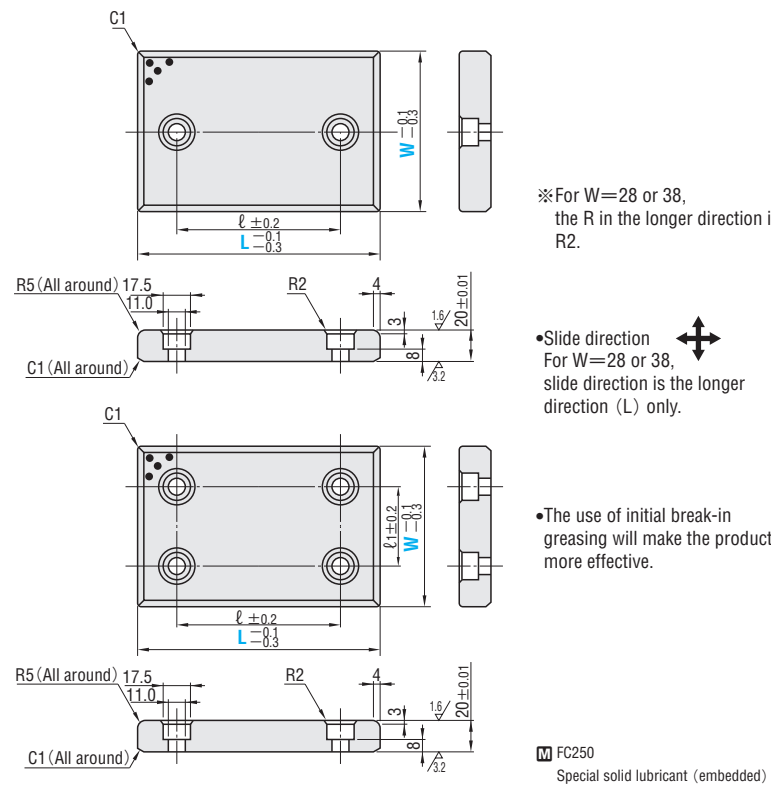


PRINTED IN RED

The quantity discount rate is also applicable to alteration cost.
All price & lead time are to be quoted.



—2 bolt holes—
MWF W= 28 ~ 75
MWFT W=100 ~ 150



—4 bolt holes—
MWF W=100 ~ 200

ℓ	Catalog No.	W	L	Base unit price 1~19 pieces
45	— 2 bolt holes MWF	28	75	Quotation
50			100	
75			125	
100			150	
150			200	
45		38	75	
50			100	
75			125	
100			150	
150			200	
45		48	75	
50			100	
75			125	
100			150	
150			200	
45	58	75		
50		100		
75		125		
100		150		
150		200		
200	250			
45	— 2 bolt holes MWFT	100	100	
50			125	
75			150	
100			200	
150			250	
200		300		
75		125	125	
100			150	
150			200	
200			250	
250	300			

ℓ	ℓ ₁	Catalog No.	W	L	Base unit price 1~19 pieces
50	50	— 4 bolt holes MWF	100	100	Quotation
75				125	
100				150	
150				200	
200				250	
75	50	125	150	150	
100				200	
150				250	
200				300	
250				350	
100	100	150	250	250	
150				300	
200				350	
250				400	
300				450	
150	150	200	250	250	
200				300	
250				350	
300				400	
350				450	

Order —

MWF 75 — 100
MWFT 125 — 200

Printed in Red • Printed in Blue

Delivery Days

For area out of Singapore, please refer to P.i.

Stocks Availability Subjected to Prior Sales.

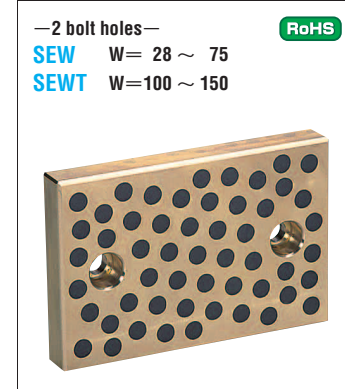
OIL-FREE SLIDE PLATES

—COPPER ALLOY 20mm TYPE· 2 BOLT HOLES / 4 BOLT HOLES—

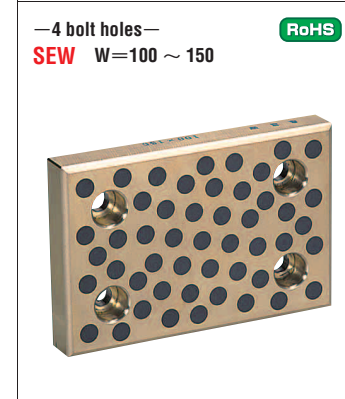
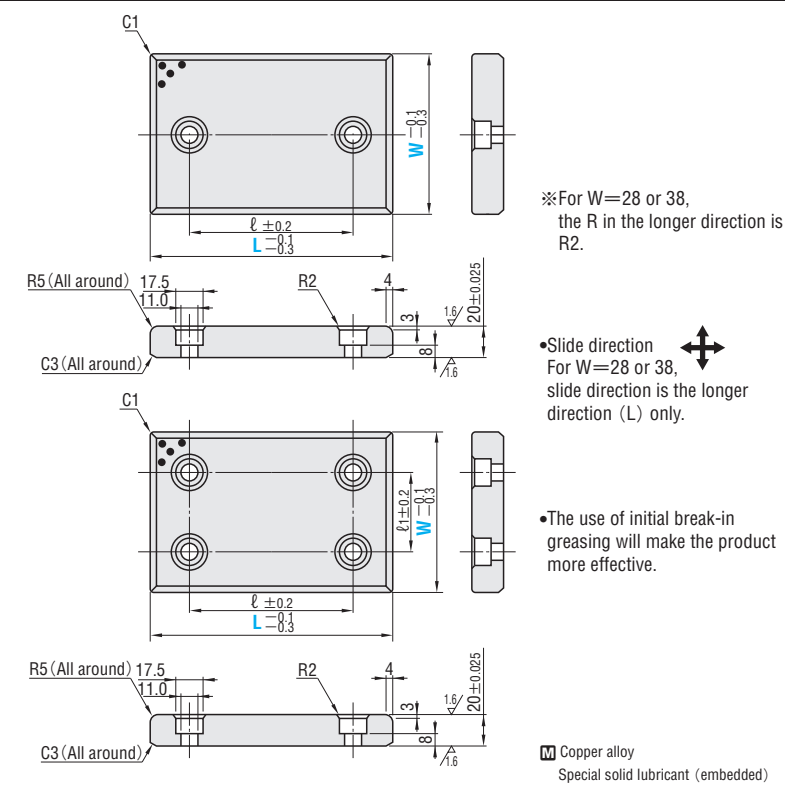


PRINTED IN RED

The quantity discount rate is also applicable to alteration cost.
All price & lead time are to be quoted.



—2 bolt holes—
SEW W= 28 ~ 75
SEWT W=100 ~ 150



—4 bolt holes—
SEW W=100 ~ 150

ℓ	Catalog No.	W	L	Base unit price 1~19 pieces
45	— 2 bolt holes SEW	28	75	Quotation
50			100	
75			125	
100			150	
150			200	
45		38	75	
50			100	
75			125	
100			150	
150			200	
45		48	75	
50			100	
75			125	
100			150	
150			200	
45	58	75		
50		100		
75		125		
100		150		
150		200		
25	75	75		
50		100		
75		125		
100		150		
150		200		
45	— 2 bolt holes SEWT	100	100	
50			125	
75			150	
100			200	
150			250	
200		300		
75		125	125	
100			150	
150			200	
200			250	
250	300			
100	150	150		
150		200		
200		250		
250		300		
300		350		

ℓ	ℓ ₁	Catalog No.	W	L	Base unit price 1~19 pieces
50	50	— 4 bolt holes SEW	100	100	Quotation
75				125	
100				150	
150				200	
200				250	
200	50	125	150	150	
250				200	
300				250	
350				300	
400				350	
100	100	150	200	200	
150				250	
200				300	
250				350	
300				400	

Order —

SEW 75 — 125
SEWT 150 — 200

Printed in Red • Printed in Blue

Delivery Days

For area out of Singapore, please refer to P.i.

Stocks Availability Subjected to Prior Sales.