

GUIDE LIFTERS / LIFTER PINS WITH AIR HOLES

— AIR HOLE TYPE —



PRINTED IN RED

The quantity discount rate is also applicable to alteration cost.
All price & lead time are to be quoted.

GLJS (Guide lifter with air hole)

SK4
53~58HRC
(Annealing of head to max. 45HRC)

Ⓢ The air hole is created on the side opposite the D-cut.

D _{g6}	W	H	E	d	d ₁	S	Catalog No.		L	N 1mm increments	A	Base unit price 1 ~ 29 pieces
							Type	D				
4	-0.004	2.0	6	5	2.0	1.75	GLJS	4	10 15 20 22 25 28 30 33 35 36 40 45 50	2 ≤ N ≤ D - 2	0.5 0.8 1.0	Quotation
6	-0.012	3.6	8	7	2.5	2		6	15 20 22 25 28 30 33 35 36 40 45 50 55		0.5 0.8 1.0 1.6	
8	-0.005	5.0	10	7	3.5	2.0		8	20 22 25 28 30 33 35 36 40 45 50 55		1.0 1.6 2.0	
10	-0.014	6.0	13	4	4.5	5		10	30 33 35 36 40 45 50 55 60 70		1.6 2.0 2.5	
13	-0.006	7.0	16	5	2.5	6		16			2.0 2.5 3.6	
16	-0.017	8.0	19	12					2.0 2.5 4.0			

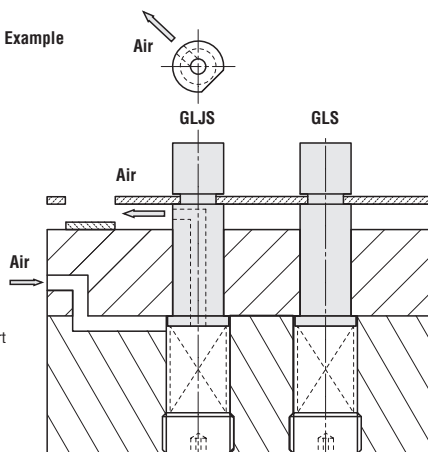
Order **Catalog No.** — L — N — A
GLJS 8 — 30 — 3 — 1.6

EX Example

Delivery **5** Days

Ⓢ For area out of Singapore, please refer to P.i.

- Use a guide lifter with air hole to resolve problems arising from lack of space.
- A reliable jet of air can be blown from a short distance away.



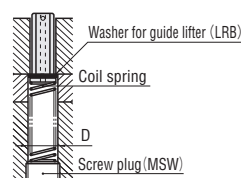
LJS (Lifter pin with air hole)

SK4
53 ~ 58HRC

Lifter pin	Coil spring		Screw plug
	Type	D	
LJS 4	WF	6	MSW 8
LJS 6	WL	8	MSW10
LJS 8	WM	10	MSW12
LJS 10	WH	13	MSW16

D _{g6}	H	d	d ₁	S	C	Catalog No.		L	Base unit price 1 ~ 19 pieces
						Type	D		
4	-0.004	6	2.0	1.5	1.75	LJS	4	25 28 30 34 40	Quotation
6	-0.012	8	2.5	2	2.0		6	25 28 30 34 40	
8	-0.005	10	3.5	2.0	3		8	25 28 30 34 40	
10	-0.014	13	4	4	4		10	25 28 30 34 40	

EX Example



Order **Catalog No.** — L
LJS 8 — 30

Quantity	1~19	20~49	50~99	100~200
Rate	—	5%	10%	15%

Delivery **Printed in Red** **Printed in Blue**
3 Days

Ⓢ For area out of Singapore, please refer to P.i.

Stocks Availability Subjected to Prior Sales.